



Hinged opening rooflight for ventilation or access.

VisionVent® Data Sheet

The VisionVent® product range is a high performance, thermally broken hinged vent, designed for both flat roof, integration into sloped glazing infrastructures, and any other stand-alone application.

The product has been designed with no visible internal framework and concealment of the electrical operators within the frame, thus giving any project a 100% clear glass area. The VisionVent® range is also suitable as an access hatch for maintenance to roofs or as an escape hatch.

The unique features of the VisionVent® product range include flush glazing, high security and large size capability. All products are all coloured as standard so as to match both internal and external building finishes.

Key Features:

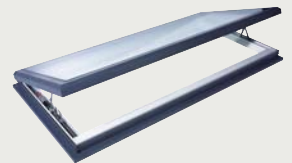
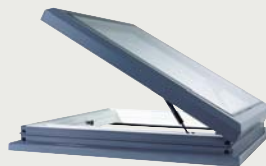
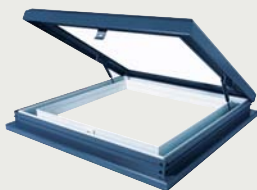
- Safe low voltage operation
- Large opening capacity (3m²)
- Bespoke sizes are available
- Mains free back-up available
- Minimum framework... Maximum daylight
- Concealed operating system
- Thermally broken construction
- Rigid two point opening
- Dual colour capabilities
- Manual or electric operation

About the Vision Group

The Vision Group has a crystal clear vision to bring innovative products to the market place. Glazing Vision provides solutions for every glass rooflight and skylight application you can think of. Whatever the need, be it for architectural lighting, ventilation or access, we have the glazing products and the expertise to suit every customer and every request. You can rely on our products to deliver the ultimate in quality, reliability and innovation.

Key Points
90° opening option
Integrated or solo

**Our world, your vision.
Discover our world of rooflights.**



Glazing Vision Ltd

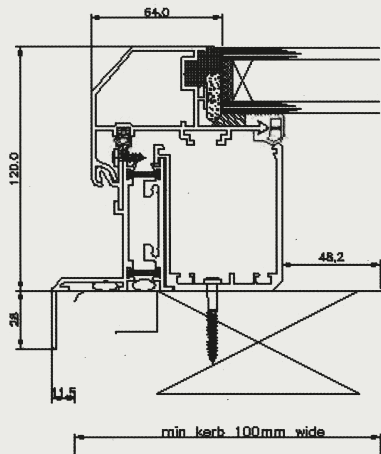
Barnes Close, Brandon, Suffolk, UK, IP27 0NY. Telephone: +44 (0) 1842 815 581
<http://www.glazingvision.com>

Glazing Vision (PTY) Ltd

10 Pepper Street, Capetown 8001, South Africa. Telephone: +27 (0) 21 422 4066
<http://www.glazingvision.co.za>



VisionVent® Technical Data



Recommended minimum kerb height	150mm (to avoid invalidating roof guarantees)
Minimum kerb thickness	100mm
Minimum pitch on kerb	3-5 degrees
Minimum unit size (outside kerb sizes)	Vent only: 750mm x 450mm Access: 900mm x 900mm
Standard glass specification	6mm toughened outer, 20mm black silicone sealed spacer, 6mm Low E coated toughened inner pane
Maximum unit kerb size (outside kerb sizes)	Vent only: 3m ² , max 2.4m in any one direction Access: 2000mm (hinge) x 1000mm maximum
Integrated unit - compatible glazing systems	Any glazing systems under pressure caps – maximum pressure cap depth NOT to exceed 25mm
Opening method	Electrical opening in vent position, for Access units manual with gas strut assisted to approximately 90°, manual vent only opening by inner mounted brass screw jack
Extra options	Access unit, manual vent, rain sensor, remote control, thermostatic control, installation kit including transformer

National Building Specifications

Glazing details:	32mm double glazed units comprising 6mm clear toughened outer pane, 20mm black spacer and 6mm clear toughened low E inner pane. Units to have silicone edge seal
Frame:	Extruded thermally broken aluminium profile, grade 6063 T6
Finish:	Polyester powder coated
Colour:	White RAL9010 matt inside, RAL7015 matt outside
Kerb:	100mm min (150mm recommended) wide up-stand to all sides as manufacturers recommendation. Minimum 3 degrees fall
Other requirements:	Frameless design with glass to glass joints. External glazing surfaces to be flush with no flashings or water ponding onstructions/dirt traps on the glass surface. Low voltage operation with totally concealed mechanism

Key Points
90° opening option
Integrated or solo



**Our world, your vision.
Discover our world of rooflights.**

Glazing Vision Ltd

Barnes Close, Brandon, Suffolk, UK, IP27 ONY. Telephone: +44 (0) 1842 815 581
<http://www.glazingvision.com>

Glazing Vision (PTY) Ltd

10 Pepper Street, Capetown 8001, South Africa. Telephone: +27 (0) 21 422 4066
<http://www.glazingvision.co.za>

